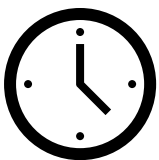


Agriculture Spraying Drone

MD-10 Pro



MD10 Pro not only has all advantages AG drone, but also is more convenient with pluggable design of water tank and battery, operators can change the tank in 3 seconds and the battery in 5 seconds. Operation efficiency can be improved by 40 percent.



Up to 15 acres/hour



10 Liters Tank



Max. 22 Mins Flight



30 Mins Charge



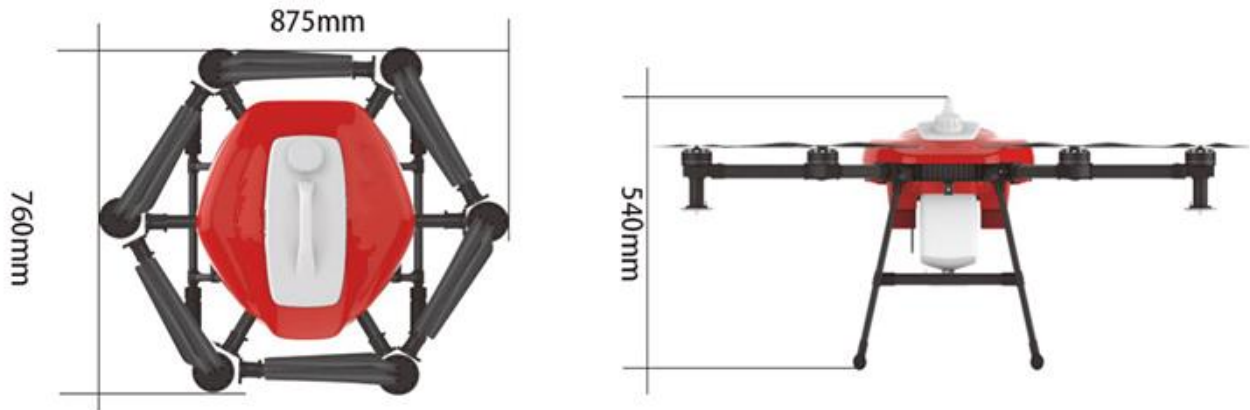
3.5 Liters/Min



Foldable Design

Foldable Structure

The easy fold-up design is convenient for delivery, assembling and transportation, without weakening the original structural strength. The fold-up design can decrease 80% of the using space. We have a lot of different frames for your options. And we can also provide customize service to design new frames.



Its motor arms fold inward, making the aircraft compact and easy to transport in the trunk of a car. Able to withstand harsh conditions, the MD-10 Pro series drone's airframe is made of light, yet durable high-strength carbon fiber.



Highly Efficient Spraying System

MD-10 Pro series drone spraying system equips a 10L capacity of wave-proof tank, efficient water pump, four nozzles. Based on the actual tests, spray width is 3-5 m and operating efficiency is 3.5L/min. The wind-resistant nozzle can decrease pesticides float in the air and economize spraying operations.

User can set the spraying range, independent planning the path of changing working lines, also implements the constant situation of height, speed and flow spraying. The function of intelligent spraying flow can be controlled which is associated with the flight speed: the faster the speed, the greater the flow; Speed is lower than 0.5 m/s, pump will shut off independently. It not only ensures the uniformity of spray, but also save agrochemicals.

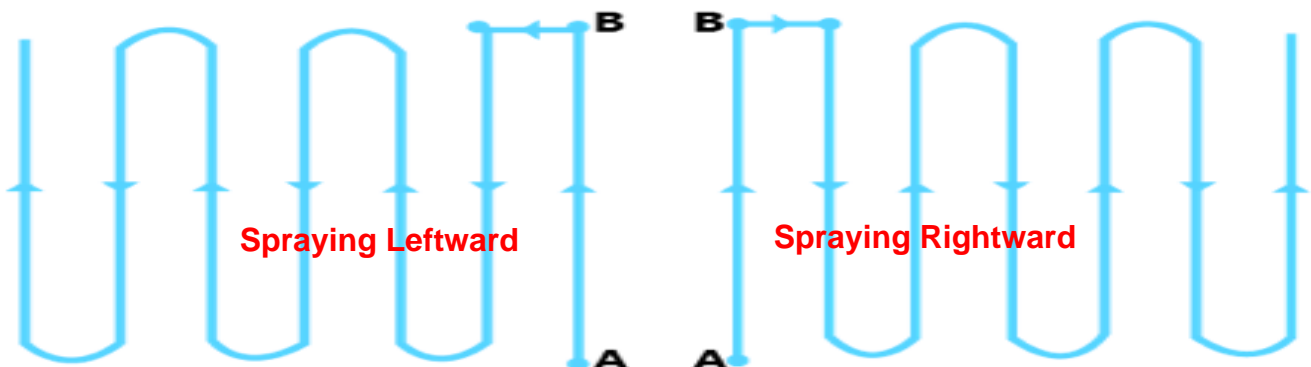
Planning Mode

Choose between three flight modes: GPS mode, AB point mode, Manual mode and Auto Operation mode, according to terrain and the specific requirements of each mission.

In AB point mode, the flight can be easily planned with the press of a few buttons, without the need for mapping knowledge or other software, making the MD-10 Pro series drone not only the most efficient but also the easiest to use spraying solution. In GPS Mode, the user can control the drone flying in parallel, forward and backward. It automatically sprays pesticides, which is suitable for operation in the irregular areas. Under Manual mode, the pilot freely navigates the aircraft.

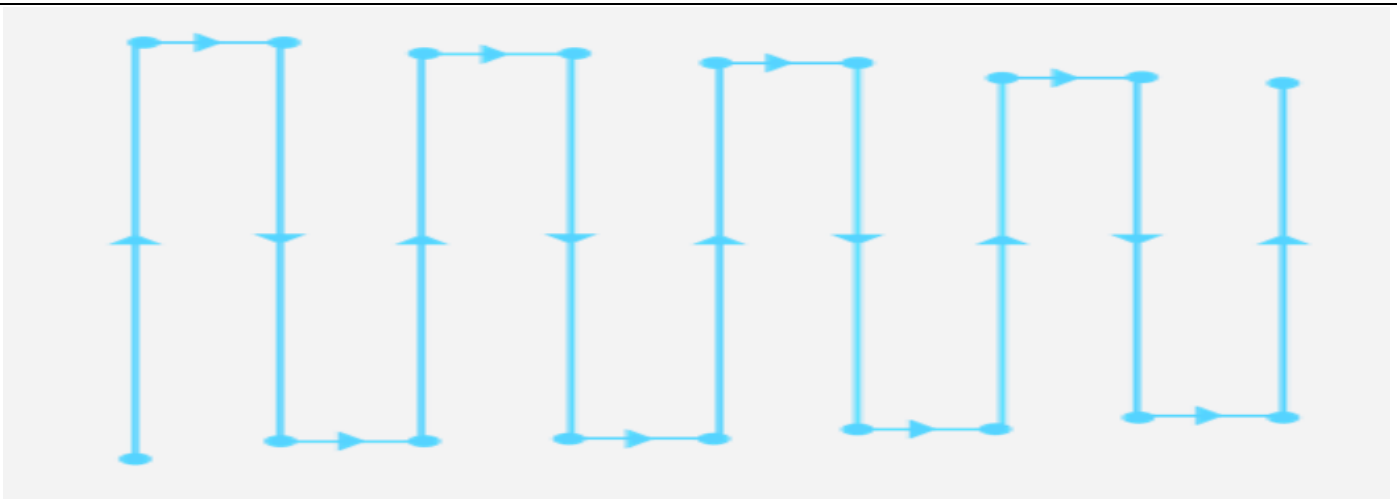
AB Point Mode

In the AB point mode, the aircraft can automatically spray pesticides in accordance with the established route, which is suitable for large regular areas.



Semi-automatic Mode (GPS Mode)

In the semi-automatic operation mode, the user can control the drone flying in parallel, forward and backward. It automatically sprays pesticides, which is suitable for operation in the irregular areas.



Auto Operation Mode

User can select the operation area on APP, and set operation distance, flight speed, altitude and other information. The drone will automatically fly back and forth according to the specified distance and traverse the entire area to complete the work, and the land operation is more convenient.



Break Point Continue to Spray

When detect the following signals such like the secondary battery alarm, low dose alarm, losing ground control signal, one key to return, drone will automatically shut off the water pump, and make the current point as the continued point to spray. By the function of 'one key to return', UAV can fly to the continued point to restart operation, which ensures the continuous operation of plant protection.



Black Box

MD-10 Pro series drone provides a black box function, which can record the flight data completely. MD-10 Pro data recording module can support 100,000 times cycle read and write. The maximum cumulative 32-hour flight data can be recorded.

Remote Control

- Build in high efficiency antenna to avoid delay in digital transmission. For safety flying
- Build in intelligent communication. Increase the stability of long-distance transmission. Dual antenna dual module
- Supported by FHSS technology.
- Hall sensor gimbal with permanent magnetic sensor make longer life to 30 years. Military grade anti dust protective gimbal cover
- Remote dimming camera with &w LED can capture video clearly at night
- Bluetooth plus USB wire provide reliable link up
- 24hrs continues working with one charge



Specifications

Aircraft Frame

Dimension: 1500*1500*540 mm (arm unfolded, without propellers)

875*760*540 mm (arm folded, without propellers)

Diagonal Wheelbase: 1300 mm

Flight Parameters

Total Weight (without battery)	10 kg
Total Weight (with battery, Full Loaded)	24 kg
Standard Take-off Weight	24 kg
Hovering Time	9 min
Recommended Operating Temperature	-10°C~40°C
Max Flying Speed	7 m/s *
Max Operating Speed	10 m/s *
Sprayer Parameters	
Liquid Tank Volume	10 L
Number of Nozzle	4
Spraying Span	4 m
Theoretical Operating Efficiency	6 acres/hour
Max Spraying Speed	3.5 L/min

*The Flight parameters are for reference only. Different natural conditions may affect the actual flight situation.

*The Transmission Range may be influenced by varied conditions. Choose open area without high buildings as the flight area.

Accessories

Terrain Following Radar Module

After equipped with terrain follow radar, the drone can scan the terrain below it in real time to keep a constant, centimeter-accurate height above crops. Spray density is maintained even as the ground rises and drops so that an optimal amount of liquid is applied at all times.



High-Precision Obstacle Avoidance Radar

The MD-10 Pro series drone can detect centimeter-wide power lines from up to 15 m away. This protects the aircraft not only from power lines, but from trees branches and other common obstacles as well. Active Obstacle Sensing and Avoidance works during the day or at night without being influenced by light or dust.



MD-10 Pro series drone supports Visual obstacle avoidance system. When unmarked obstacles (radius $\geq 5\text{cm}$) are detected during the flight, drone will automatically avoid the obstacles, even at night.



Automatic
Obstacle Avoidance



Safe Night
Operation



Intelligent Fault
Prediction



Multiplex Drone Pvt. Ltd.



#180, 1st cross road, Mahalakshmi Layout, Bangalore



TEL: +91-80-23497464



M.P: +91-6362900041(WhatsApp)



Email: corporate@multiplexdrone.com



Web: www.multiplexdrone.com